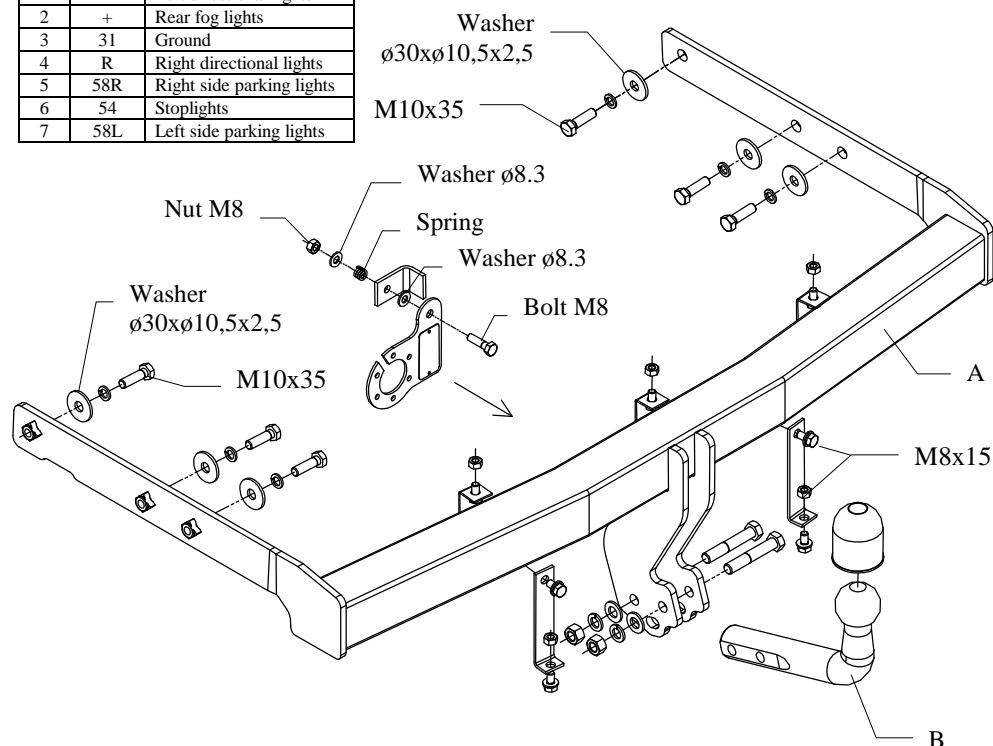


FITTING INSTRUCTION

| Clamp mark in acc. with | | Cables joining |
|-------------------------|-----|---------------------------|
| ISO | PN | |
| 1 | L | Left directional lights |
| 2 | + | Rear fog lights |
| 3 | 31 | Ground |
| 4 | R | Right directional lights |
| 5 | 58R | Right side parking lights |
| 6 | 54 | Stoplights |
| 7 | 58L | Left side parking lights |



The instruction of the assembly

1. Take out spare wheel, disassemble a bumper and next disassemble heat cover.
2. Disassemble a filler of the bumper (not used any more). Cut out fragment of bumper – in lower part, 50x25mm in its axis.
3. At towbar handles fix a bumper with bolts M8x15.
4. Slip main bar of towbar (pos. A) with bumper into chassis members and next fix all with bolts M10x35mm and big washers ø30xø10,5x2,5mm (from accessories).
5. Reassemble heat cover.
6. Fix tow-ball (pos. B) using bolts M12x70mm from the towbar accessories.
7. Fix socket plate according to drawing by bolt M8.
8. Fix all bolts according to the torque shown in the table.
9. Connect the electric wires according to the instruction of the car. (Recommend to make at service station)
10. Supplement the paint coating damaged during assembly.

This towbar is designed to assembly in following cars:

FORD GALAXY produced since 1995 till 05.2000; **VW SHARAN** produced since 1995 till 04.2000; **SEAT ALHAMBRA** produced since 1996 till 04.2000, catalogue no. **C33** and is prepared to tow trailers max total weight **2100kg** and max vertical mass **85kg**.

From manufacturer

Thank you for buying our product. Their reliability has been confirmed in many tests. Reliability of towbar depends also on correct assembly and right operation. For this reasons we kindly ask to read carefully this instruction and apply to hints.

The towbar should be install in points described by a car producer.

| | |
|--|----------------------|
| Torque settings for nuts and bolts 8,8 : | |
| M 8 - 25 Nm | M 10 - 55 Nm |
| M 12 - 85 Nm | M 14 - 135 Nm |

NOTE

After install the towbar you should get adequate registration in registration book (at authorised service station).The car should be equipment with:

- Indicators
- Tow mirrors

After 1000km of exploitation check all bolts and nuts. The ball of towbar must be always kept clear and conserve with a grease.



PPUH AUTO-HAK S. J.

Produkcja Zaczepów Kulowych
Henryk & Zbigniew Nejman
76-200 SŁUPSK ul. Słoneczna 16K
tel/fax (059) 8-414-414; 8-414-413
E-mail: office@autohak.com.pl
www.autohak.com.pl

Towing hitch (without electrical set)

Class: **A50-X** Cat. no. **C33**

Designed for:

Ford Galaxy prod. since 1995 till 05.2000

VW Sharan prod. since 1995 till 04.2000

Seat Alhambra prod. since 1996 till 04.2000

Technical data:

D-value: 11,09 kN

maximum trailer weight: **2100 kg**

maximum vertical cup mass: **85 kg**

Approval number according to Directive 94/20/EC: e20*94/20*0654*00

Foreword

This towbar is design according to rules of safety traffic regulations. The towing hitch is a safety component and must be installed only by qualified personnel. Any alteration or conversion to the towing hitch is prohibited and would lead to cancellation of design certification. Remove insulating compound and underseal from vehicle (if present) in the area of the matting surfaces of the towing hitch. The vehicle manufacturer's specifications regarding trailer load and max. vertical cup load are decisive for driving, and values for the towing hitch must not be exceeded.

D-value formula:

$$\frac{\text{Max trailer weight [kg]} \times \text{Max vehicle weight [kg]}}{\text{Max trailer weight [kg]} + \text{Max vehicle weight [kg]}} \times \frac{9,81}{1000} = D \text{ [kN]}$$