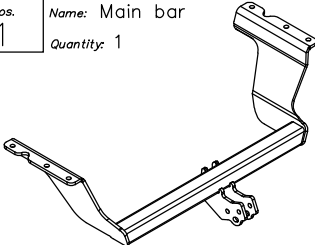
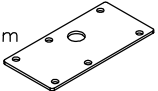




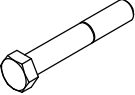

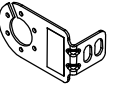
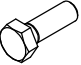





Towbar accessories:

Pos. 1 Name: Main bar Quantity: 1 	Pos. 4 Name: Fish-plate Quantity: 2 Dim.: 250x120x5mm 	Pos. 9 Name: Nut 8 B Quantity: 12 Dim.: M10 
	Pos. 5 Name: Washer Quantity: 6 Dim.: 62x31x4mm, ø12mm 	Pos. 10 Name: Plain washer Quantity: 2 Dim.: ø 13 mm 
Pos. 2 Name: Tow ball Quantity: 1 	Pos. 6 Name: Bolt 8,8 B Quantity: 2 Dim.: M12x75mm 	Pos. 11 Name: Spring washer Quantity: 2 Dim.: ø 12,2 mm 
Pos. 3 Name: Socket plate Quantity: 1 	Pos. 7 Name: Bolt 8,8 B Quantity: 12 Dim.: M10x35mm 	Pos. 12 Name: Spring washer Quantity: 12 Dim.: ø 10,2 mm 
	Pos. 8 Name: Nut 8 B Quantity: 2 Dim.: M12 	Pos. 13 Name: Ball cover Quantity: 1 



PPUH AUTO-HAK S.J.

Produkcja Zaczepów Kulowych
Henryk & Zbigniew Nejman
76-200 SŁUPSK ul. Słoneczna 16K
tel/fax (059) 8-414-414; 8-414-413
E-mail: office@autohak.com.pl
www.autohak.com.pl

Towing hitch (without electrical set)

Class: **A50-X** Cat. no. **W09**

Designed for:

Manufacturer: **SUZUKI**

Model: **BALENO**

Type: **4 door**

produced since 1995 till 2002

Technical data:

D-value: 6,19 kN

maximum trailer weight: **1150 kg**

maximum vertical cup load: **50 kg**

Approval number according to Directive 94/20/EC: **e20*94/20*0363*00**

Foreword

This towbar is designed according to rules of safety traffic regulations. The towing hitch is a safety component and can be install only by qualified personnel. Any alteration or conversion of the towing hitch is prohibited and would lead to cancellation of design certification. Remove insulating compound and underseal from vehicle (if present) in the area of the matting surfaces of the towing hitch. The vehicle manufacturer's specifications regarding trailer load and max. vertical cup load are decisive for driving whereat values for the towing hitch cannot be exceeded.

D-value formula:

$$\frac{\text{Max trailer weight [kg]} \times \text{Max vehicle weight [kg]}}{\text{Max trailer weight [kg]} + \text{Max vehicle weight [kg]}} \times \frac{9,81}{1000} = D \text{ [kN]}$$

FITTING INSTRUCTION

Clamp mark in acc. with		Cables joining
ISO	PN	
1	L	Left directional lights
2	+	Rear fog lights
3	31	Ground
4	R	Right directional lights
5	58R	Right side parking lights
6	54	Stoplights
7	58L	Left side parking lights

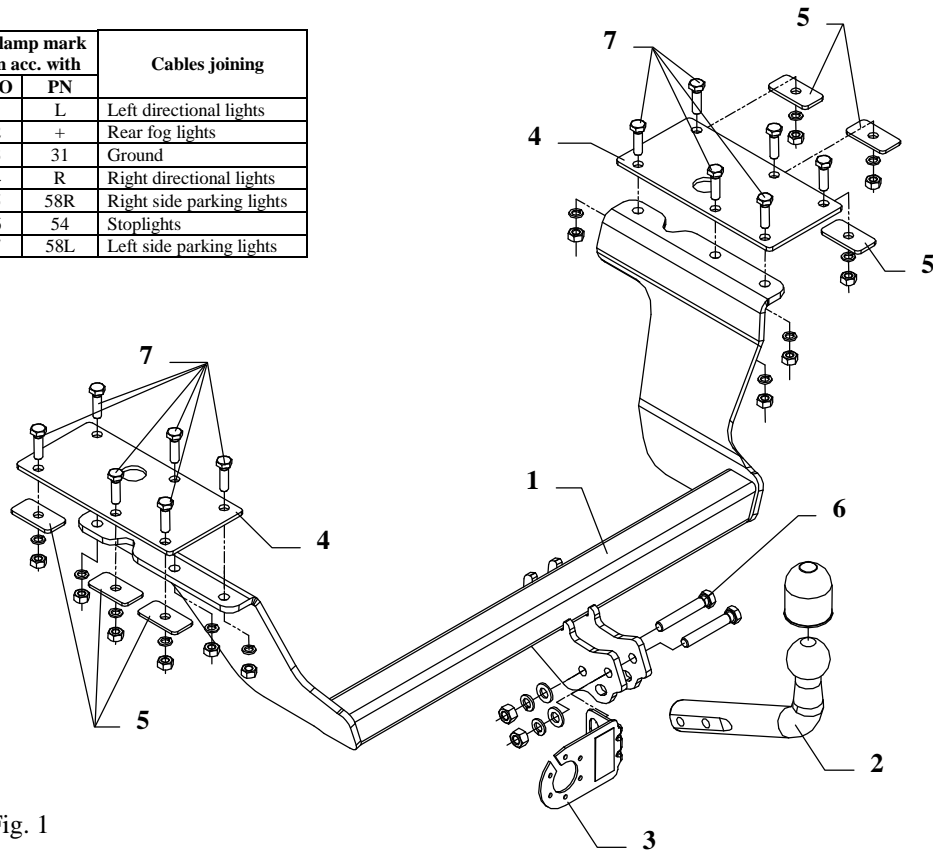


Fig. 1

This towbar is designed to assembly in following cars: **SUZUKI BALENO, 4 door**, produced since 1995 till 2002, catalogue no. **W09** and is prepared to tow trailers max total weight **1150 kg** and max vertical load **50 kg**.

From manufacturer

Thank you for buying our product. Their reliability has been confirmed in many tests. Reliability of towbar depends also on correct assembly and right operation. For this reasons we kindly ask to read carefully this instruction and apply to hints.

The towbar should be install in points described by a car producer.

The instruction of the assembly

1. Remove the fitted carpet from the trunk.
2. On plastic pegs (to which one pins the fitted carpet) put fish-plates (pos. 4) as showed on the fig. 2. Then through all holes drill holes $\varnothing 11\text{mm}$.
3. Through ready made holes put bolts M10x35mm (pos. 7).
4. From the bottom of the car, apply (on protruding bolts) the main bar of the towbar (pos. 1) and fix as showed on the fig. 1.
5. Tighten all bolts according to the torque shown in the table.

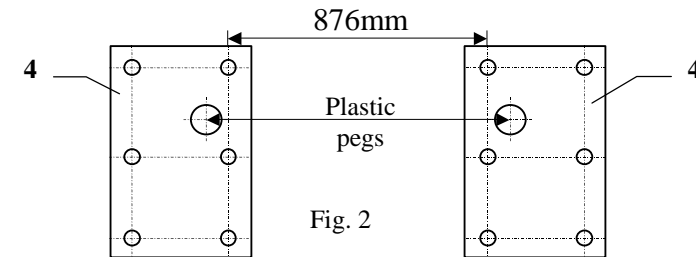


Fig. 2

6. Fix tow-ball (pos. 2) and socket plate (pos. 3) by bolts M12x75mm (pos. 6) from accessories.
7. Connect electric wires of 7-poles socket according to the instruction of the car. (Recommend to make at authorized service station).
8. Complete paint layer damaged during installation.

Torque settings for nuts and bolts (8,8):

M 8 - 25 Nm

M 10 - 55 Nm

M 12 - 85 Nm

M 14 - 135 Nm

NOTE

After install the towbar you should get adequate note in registration book (at authorised service station).The car should be equipped with:

- Indicators
- Tow mirrors

After 1000km of exploitation check all bolts and nuts. The ball of towbar must be always kept clear and conserve with a grease.